

ICS Technology

Compatibility Information

ICS COMPATIBILITY CHART

ICS Frames

ICS Configurations

Parts Needed

TEAMMACHINE SLR01
[MY21→]

ROADMACHINE 01 & URS 01
[MY20→]

TEAMMACHINE SLR 01
[MY18/19/20]

ALPENCHALLENGE AMP CARBON
[MY19→]

TIMEMACHINE 01 Road
[MY19→]

ROADMACHINE 01
[MY17/18/19]

→ **ICS2 / ICS Carbon**

→ **ICS01 / ICS01 0°**
→ **ICS Aero**

ICS Carbon & ICS2 (MY21 SLR01) **art. 30000723 (RED)**
TC Set ICS2 ICS CBN RED

Topcones marked as #1 (5mm) or #2 (30mm) **art. 30000724**
TC Set ICS2 ICS CBN BLK

ICS Carbon & ICS2 (Retrofit) **art. 30000722**
TC Retrofit Set ICS2 ICS CBN BLK

Topcones marked as #3 (5mm) or #4 (30mm)

ICS01 & ICS Aero (Retrofit for MY21 SLR01) **art. 30000725**
TC Retrofit Set ICS1 ICS AERO BLK

Topcones marked as #5 (5mm) or #6 (30mm)

ICS01/ICS01 0° & ICS Aero (Retrofit for other Platforms) **art. 300712 / 300713**
MY17/18/19 Roadmachine 01 topcone (38mm High/18mm Low)

Low topcones are standard in complete bike builds and modules. Additional topcones are available for customization. **art. 300717 / 300718**
MY17/18/19 Roadmachine 02 topcone (38mm High/18mm Low)

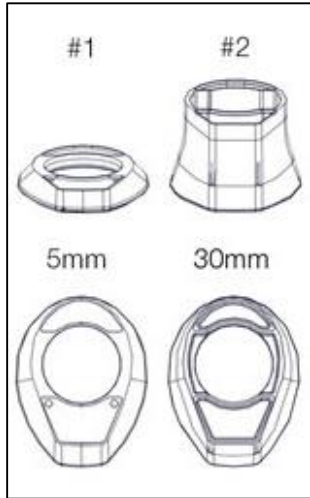
art. 302084
Topcone ICS high 32 mm (MY20→ RM/URS, MY19→ AC AMP CARBON, MY18/19/20 SLR01) **art. 301705 / 301706**
MY19→ Timemachine 01 Road topcone (27mm High/12mm Low)

TOPCONE IDENTIFICATION

The topcones designed for MY21 Teammachine SLR01 frames and for the retrofitting of ICS Carbon cockpits and ICS2 stems feature clear markings for easy identification and compatibility check.



Topcone ICS2, ICS Carbon – MY21 Teammachine SLR01



Topcones that feature #1 and #2 markings (available in Red or Black) are designed to fit ICS2 stems and ICS Carbon cockpits on MY21 Teammachine SLR01 frames.

Topcone ICS2, ICS Carbon - Retrofit



Topcones that feature #3 and #4 markings (only available in Black) are designed to retrofit ICS2 stems and ICS Carbon cockpits on the following platforms:

- TEAMMACHINE SLR01: MY18 → MY20
- ROADMACHINE 01: MY20 →
- URS 01: MY20 →
- ALPENCHALLENGE AMP CARBON: MY19 →

Topcone ICS01 / ICS Aero – MY21 Teammachine SLR01



#5 and #6 Topcones (only available in Black) can be used to fit ICS Aero, ICS01 and ICS01 0° stems and on MY21 TEAMMACHINE SLR01

Notes

- An additional topcone, marked as #7 allows the installation of round-steerer forks on MY21 Teammachine SLR frames.
- Timemachine 01 Road is currently not compatible with ICS2 and ICS Carbon.

TOPCONE MARKING INDEX

Part Identification	Part Description	Compatibility
#1 ICS2-CARBON 5mm	Topcone ICS2, ICS Carbon, Low 5mm (MY21 SLR01)	<ul style="list-style-type: none"> • MY21 TEAMMACHINE SLR01 ONE • MY21 TEAMMACHINE SLR01 TWO • MY21 TEAMMACHINE SLR01 ICS CARBON MODULES
#2 ICS2-CARBON 30mm	Topcone ICS2, ICS Carbon, High 30mm (MY21 SLR01)	<ul style="list-style-type: none"> • MY21 TEAMMACHINE SLR01 ONE • MY21 TEAMMACHINE SLR01 TWO • MY21 TEAMMACHINE SLR01 ICS CARBON MODULES
#3 ICS2-CARBON 5mm	Topcone ICS2, ICS Carbon, Low 5mm (Retrofit)	<ul style="list-style-type: none"> • ROADMACHINE 01 MY20→ • URS 01 MY20→ • ALPENCHALLENGE AMP CARBON MY19→ • TEAMMACHINE SLR01 MY18→20
#4 ICS2-CARBON 30mm	Topcone ICS2, ICS Carbon, High 30mm (Retrofit)	<ul style="list-style-type: none"> • ROADMACHINE 01 MY20→ • URS 01 MY20→ • ALPENCHALLENGE AMP CARBON MY19→ • TEAMMACHINE SLR01 MY18→20
#5 ICS1-AERO 5mm	Topcone ICS01 / ICS Aero, Low 5mm (MY21 Teammachine SLR)	<ul style="list-style-type: none"> • MY21 TEAMMACHINE SLR01
#6 ICS1-AERO 30mm	Topcone ICS01 / ICS Aero, High 30mm (MY21 Teammachine SLR)	<ul style="list-style-type: none"> • MY21 TEAMMACHINE SLR01
#7 ROUND 8mm	Topcone Round Steerer, 8mm (MY21 Teammachine SLR)	<ul style="list-style-type: none"> • MY21 TEAMMACHINE SLR